

POE-5/9/12V set



Adjustable triple output 5V / 9V / 12V POE SET

Power over Ethernet (POE) adapter designed to supply operational power to surveillance

Cameras and VoIP device and wireless LAN devices such as access points, bridges and router.




Enables transmission of power over Cat-5 Cat-6 unshielded twisted pair (pairs) Ethernet network cable to device.

Supports 5 VDC or 9 VDC or 12VDC power requirements, 1.5 / 1.2 / 1 Amp.

Specification

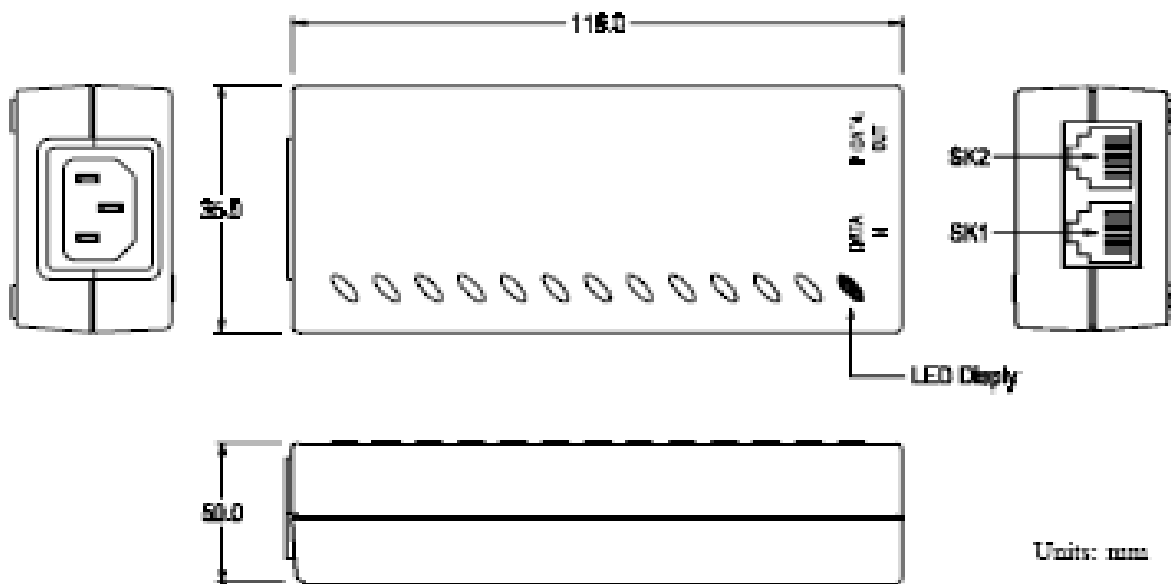
PoE Injector	
Input Voltage	AC 110 ~ 220V
Output Voltage	DC 48V / 0.4A
Input Current	0.5A Maximum
Load Regulation	+ / - 5%
Operating Temperature	0 ~ 40°C
PoE Splitter	
Input Voltage	DC 48V
Output Voltage	DC 5V or DC 9V or DC 12V (Adjustable)
RJ45 cable Power Usage	Date: Pins 1,2,3,6 Power: Pins 4,5,7,8
Date Rate	10/100Mbps
Operation Temperature	0 ~ 40°C
Storage Temperature	-40 ~ 70°C
Operation Humidity	10% ~ 80% RH
Storage Humidity	5% ~ 90% RH

PoE Splitter Adjustable Table

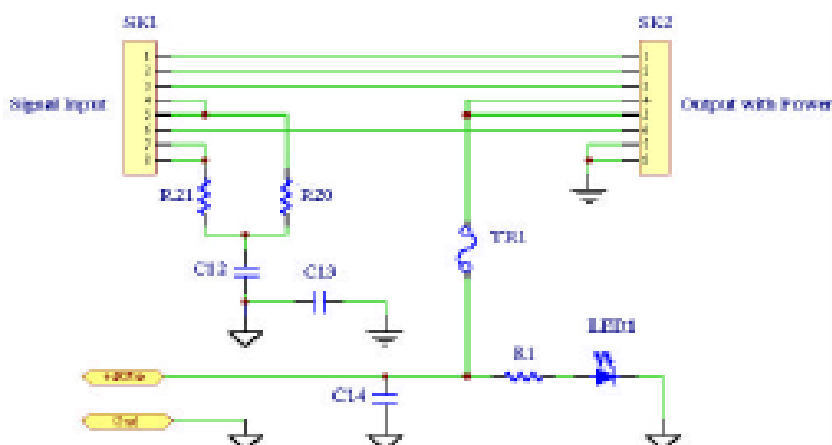
	5V/1.5A	25kΩ Impedance Characteristic; Class 3 normal Operation Voltage Range 40V-57V
	9V/1.2A	
	12V/1A	25kΩ Impedance Characteristic; Class 3 normal Operation Voltage Range 18V-55V

PoE Injector Diagram

MECHANICAL DIMENSION



DATA_IN & P+DATA_OUT PIN DEFINITION



Pin	Input SK1	Output SK2	Pin
1	Tx (+)	Tx (+)	1
2	Tx (-)	Tx (-)	2
3	Rx (+)	Rx (+)	3
4	N.C.	+48V	4
5	N.C.	+48V	5
6	Rx (-)	Rx (-)	6
7	GND	GND	7
8	GND	GND	8

Pin Assignment